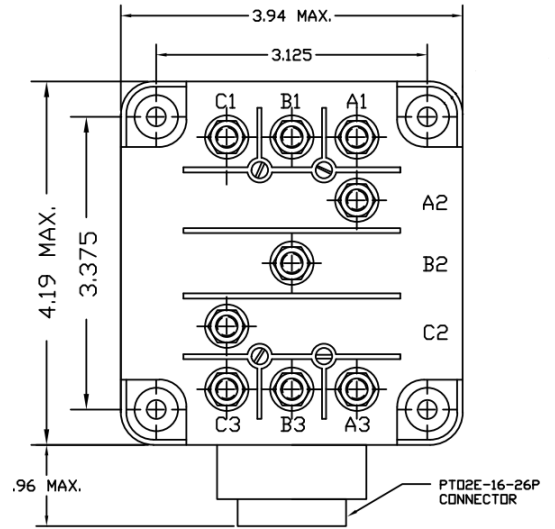
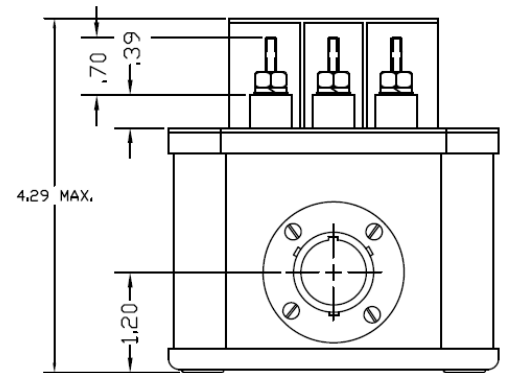
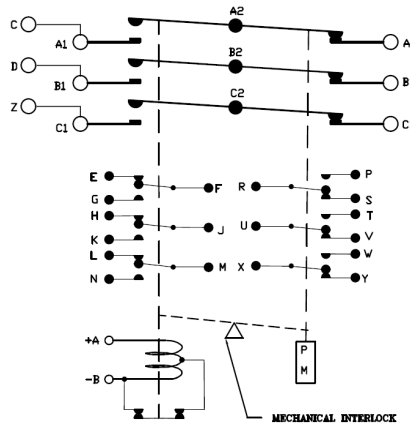


G-1097-B233B-C, Contactor, 3PDT, Side Stable, 120 Amps, 115/200V, 400hz NSN: 5945-00-450-0255



Product Overview:

- 3PDT Side Stable
- Rated for 120 Amps, AC
- Economized Coil
- Contact NPAS for specific needs and customizable options.



Performance Specifications

Coil Data		Contact Data					
Nominal Voltage	28VDC	Main			Auxiliary		
Pickup	18VDC @ 71°C	3PDT Side Stable			6PDT		
Dropout	7 - 1 VDC	Life (cycles)	28VDC (amps)	200VAC (amps)	Life (cycles)	28VDC (amps)	115VAC (amps)
Coil Resistance	-	50,000	-	120	50,000	5	5
Coil Current	-	50,000	-	120	50,000	5	5
Suppression	-	-	-	-	-	-	-
Duty	Continuous, economizing	-	-	-	50,000	2	2
Electrical Data		Rupture	-	800	-	-	-
Insulation Resistance	≥100MΩ @ 500VDC min	Mechanical	100,000	-	-	-	-
Environmental		Voltage Drop	125mV				
Temperature range	-55°C to +71°C	Contact Resistance	-				
Altitude	50,000 ft. max	Timing	-				
Shock	25G, 6-9ms	Release	-				
Vibration, sinusoidal	7.5G, 50-3500Hz	Transfer	-				
		Bounce	-				
		Mechanical Data	-				
		Weight	2lb 15oz				
		Specifications IAW	Meets materials and workmanship requirements of MIL-PRF-6106				